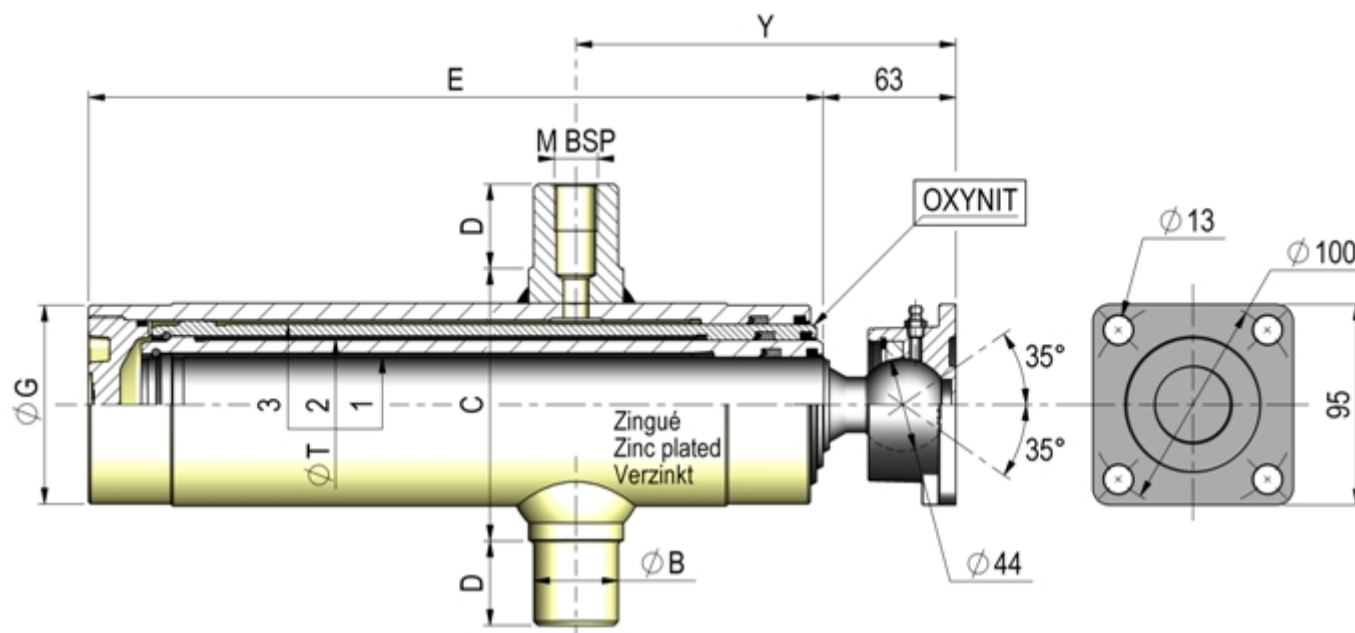


WITH DUCTILE IRON SWIVEL JOINT FOR TIPPER



References

Search reference...

Reference	ØA	Z Course Stroke Hub	ØT1	ØT2	ØT3	ØT4	ØT5	B	C	D	E	G	Y	Max*	Vol. (Ltr)	Poids Weight Gewicht (Kg)	OPTION Berceau Cradle Ring N°	Téléchargement Download
3305	0.00	570.00	45	61	76			45	115	45	293	95	143	8	2.5	17	1	
3405	0.00	726.00	45	61	76	91		40	128	40	293	108	146	8	3	19	1	
3585	0.00	875.00	45	61	76	91	107	45	148	45	288	128	186	8	5.2	26.5	2	
3595	0.00	1150.00	45	61	76	91	107	45	148	45	343	128	186	8	7.7	30	2	
3598	0.00	1475.00	45	61	76	91	107	45	148	45	424	128	139	8	9.9	34.5	2	
3445	0.00	1190.00	45	61	76	91		45	128	45	409	108	146	8	5	26	1	
3395	0.00	730.00	45	61	76			40	128	40	348	95	180	8	3.0	19	1	
3306	0.00	912.00	45	61	76			45	115	45	409	95	143	8	3.1	22	1	
3495	0.00	945.00	45	61	76	91		40	128	40	348	108	186	8	4	22	1	
3397	0.00	1030.00	45	61	76			40	128	40	449	95	180	8	4.0	23	1	
3497	0.00	1348.00	45	61	76	91		40	128	40	440	108	170	8	5.7	28	1	

Features

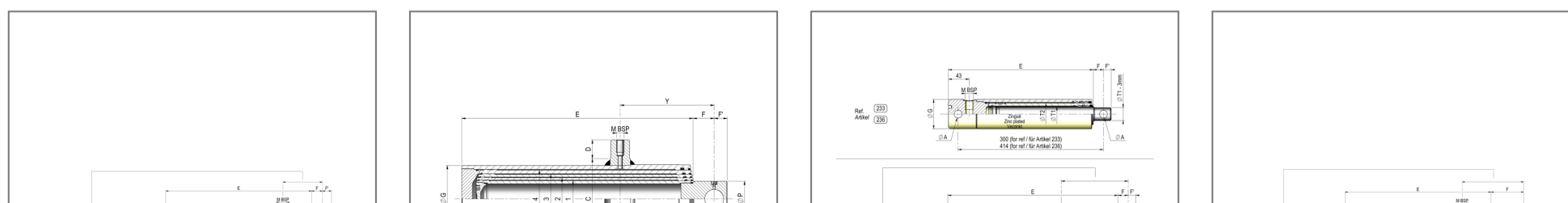
* Max force on ball joint (T)

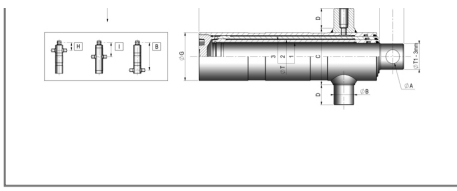
Study and conception only suitable for tipper

Recommendations

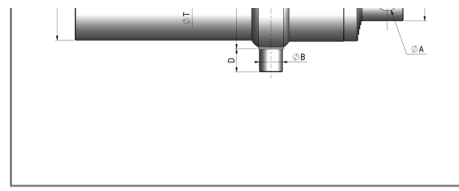
Additional information

Related products

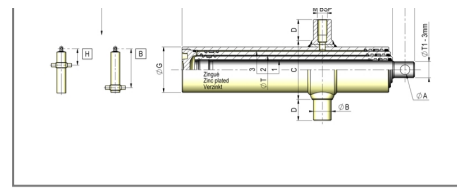




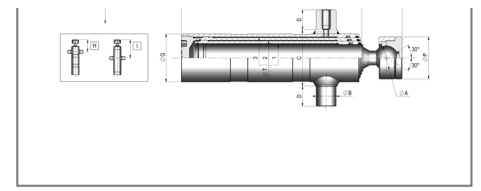
Standard For Tipper



Heavy series For Tipper



For light Trailers and
Tippers



With Swivel Joint For
Tipper